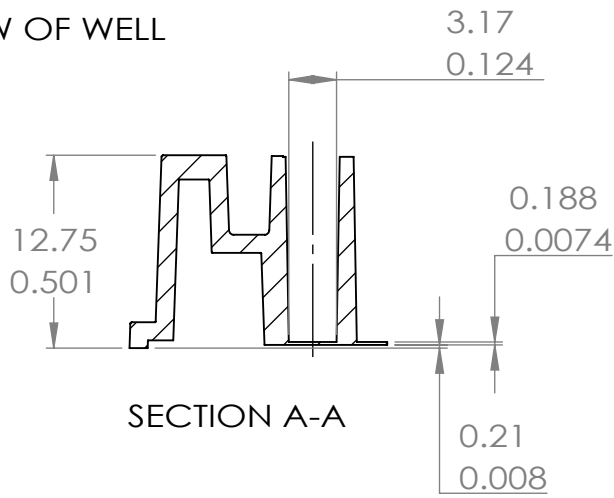


384-IQ ULB EB 188 Micron Clear Film Bottom

REVISIONS

REV	DATE
00	2023. 08. 29
01	2023. 09. 04
02	2023. 09. 11
03	2023. 11. 08
04	2023. 11. 15
05	2024. 02. 16

VIEW OF WELL



NOTE:

Dimensions in upper row are in millimeter, in lower row are inch.

