

**New
Proposal**

Self-sucking type

AIR DUST MONITOR

**Continuous monitoring of
dust emission from facilities**

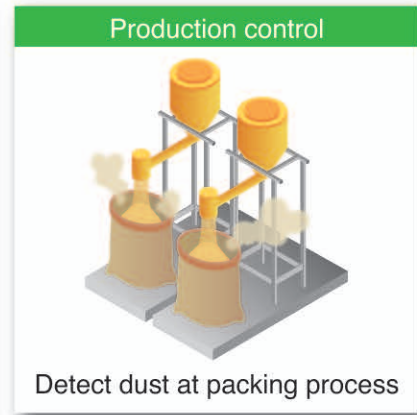
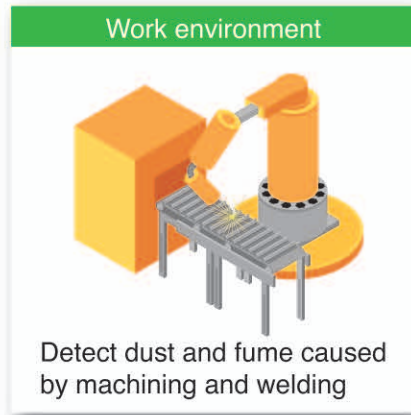
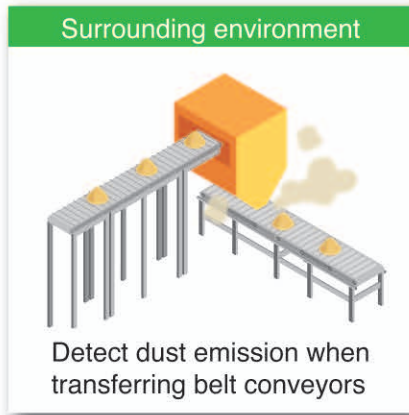


**Prevent
dust emission to
the neighborhood**

**Saving energy
by controlling
dust collectors**

**Improve indoor
work environment**

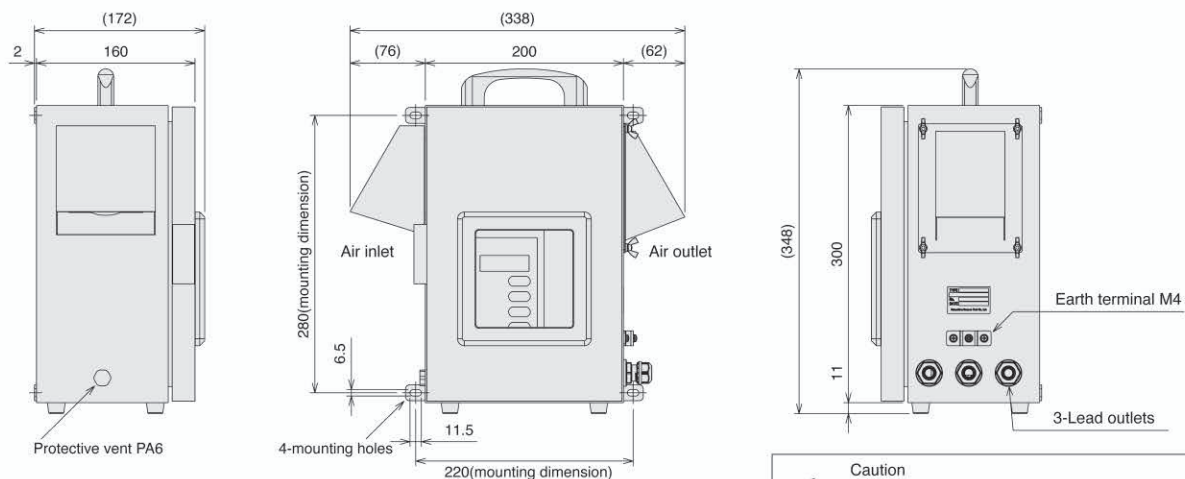
Applications



Specifications

Model	PFM-AD12
Principle	Triboelectric function
Condition	Particle size : $\geq 0.3\mu\text{m}$, humidity : $\leq 40\text{vol}\%$
Power supply	AC110V/220V -15% / +10% 50/60Hz
Output signal	DC4~20mA x1 (Max.23.3mA)
Fault alarm	1cx1 (AC250V, 2A / DC30V, 2A)
Upper limit	1cx2 (AC250V, 2A / DC30V, 2A)
Display	Concentration: digital 4 digit display (0.0 - 118.5%)
Measuring range	0.1-1000mg/m ³ 9 range adjustment Range 1 (lower sensitivity) - Range 9 (higher sensitivity)
Integration time	0-30s
Protection	IP54 (under the condition the cover and lead outlet are tightened)
Mass	Approx. 6.6kg

Dimension (mm)



Specifications are subject to change without notice.
All Rights Reserved Copyrights©2020, Matsushima Measure tech Co., Ltd.

Caution

- Read the instructions to ensure correct and suitable application of products.
- Contact our nearest sales office when using our products for any systems used in situations which may be life threatening.

Distributor



Matsushima Measure Tech Co., Ltd.

HEAD OFFICE
1-8-18, NORIMATSU-HIGASHI, YAHATANISHI-KU, KITAKYUSHU, 807-0837 JAPAN
Tel: +81-93-691-3731 FAX: +81-93-691-3735
<https://www.matsushima-m-tech.com> E-mail : info@matsushima-m-tech.com

Seoul Branch
220,2F Hyundai Knowledge Industry Center, 70, Dusan-ro, Geumcheon-gu, Seoul, Republic of Korea
Tel: +82-(0)2-852-3731 FAX: +82-(0)2-852-3734

Affiliated company
Shanghai Dahong Matsushima Machinery Co., Ltd.
70 Hengchang Road, Dahong, Malu, Jiading, Shanghai 201801, China
Tel: +86-(0)21-5951-4138 FAX: +86-(0)21-5951-4139