

For broken bag detection & environmental measure

Triboelectric **Dust Switch**

PFM Series

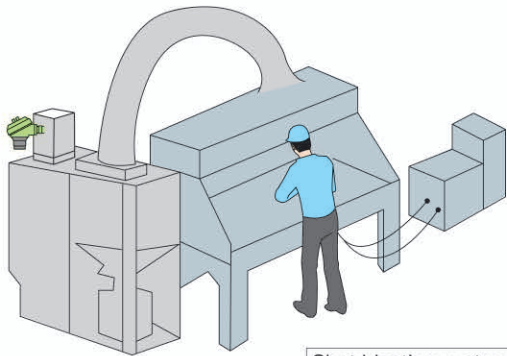


Born on the concept of "CLEAN & COMPACT"

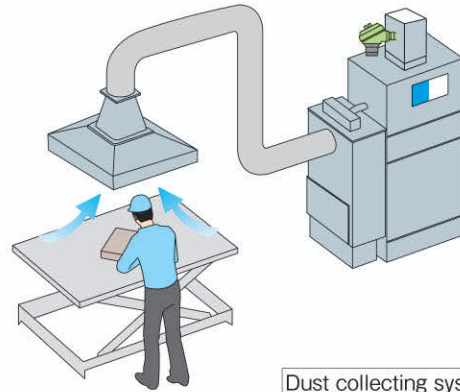
Features

- ▶ DUST SWITCH is working environment protection sensor which is possible to mount general-purpose small size dust collector to monitor the filter condition.
- ▶ Light weight and compact (amplifier integrated)
- ▶ No difficult adjustment required
- ▶ NPN output possible to connect directly with PLC

Application example



Shot blasting system



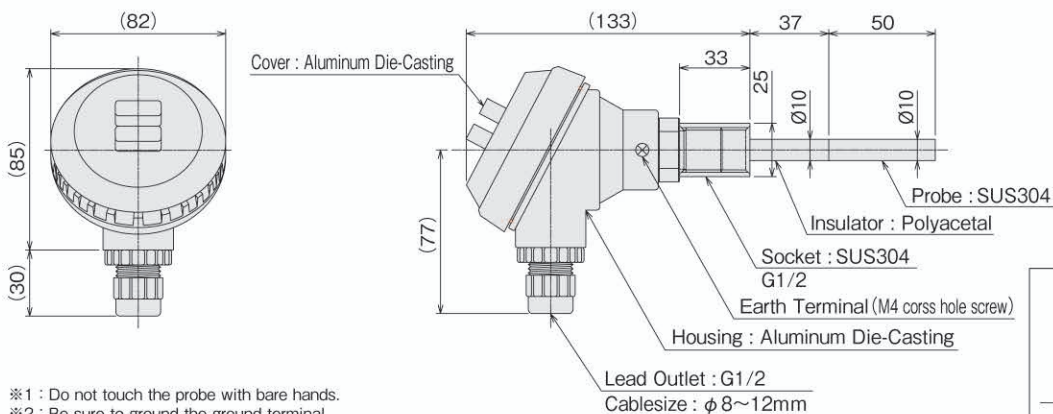
Dust collecting system

Specifacaton

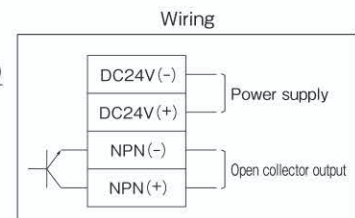
Model	PFM-DSW10
Construction	Sensor with integrated transducer
Power supply	24VDC ±10%
Power consumption	2W
LED display	Power lamp Green (ON=lighting)
	Detect lamp Red (ON=lighting)
Output signal	Open collector output 1 output (NPN)
Output capacity	Load voltage:DC5-30V, Laod current:50mA Max
Enclosure	Protection Rating:IP54 (Cover and lead outlet must be properly tightened)

Dimension	Probe 50mm (below insulation part)
	insulator 50mm
Material	Probe : SUS304
	insulator : Polyacetal (POM)
	Housing : Aluminum Die-Casting
Allowable temperature	0 to +55°C
Allowable humidity	90%max. (Without condensation)
Sensor mounting	G1/2 screw(G1/2 socket)
Approx.Mass	0.5kg

Dimension (mm)



- ※1 : Do not touch the probe with bare hands.
- ※2 : Be sure to ground the ground terminal.
- ※3 : Make sure to close lead outlet so that outer air does not leak inside.
- ※4 : Insert wiring cable directly to terminal base without using crimp-type terminal tec.



Specifications are subject to change without notice.
All Rights Reserved Copyright©2014, Matsushima Measure Tech Co., Ltd.



Caution
● Read the instructions to ensure correct and suitable application of products.
● Contact our nearest sales office when using our products for any systems used in situations which may be life threatening.

Distributor



Matsushima Measure Tech Co., Ltd.

HEAD OFFICE
1-8-18, NORIMATSU-HIGASHI, YAHATANISHI-KU, KITAKYUSHU, 807-0837 JAPAN
Tel: +81-93-691-3731 FAX: +81-93-691-3735
<https://www.matsushima-m-tech.com> E-mail : info@matsushima-m-tech.com

Seoul Branch
220, 2F Hyundai Knowledge Industry Center, 70, Dusan-ro, Geumcheon-gu, Seoul, Republic of Korea
Tel: +82-(0)2-852-3731 FAX: +82-(0)2-852-3734

Affiliated company
Shanghai Dahong Matsushima Machinery Co., Ltd.
70 Hengcang Road, Dahong, Malu, Jiading, Shanghai 201818, China
Tel: +86-(0)21-5951-4138 FAX: +86-(0)21-5951-4139