

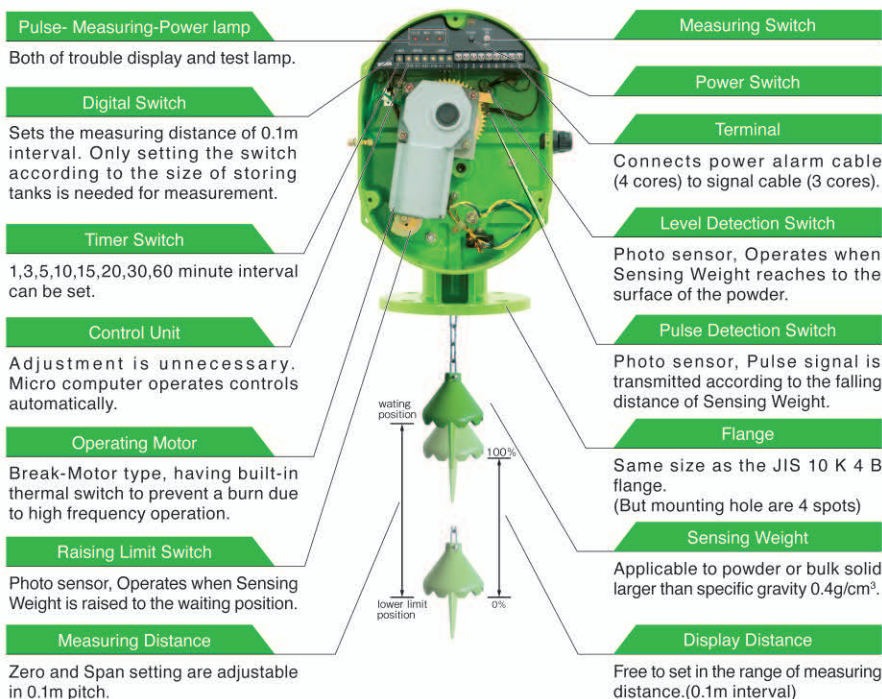
Sounding-V

Compact type level meter for powder storage level up to 20m.
Precisely measures the storage level in powder silo or tank and displays in remote indication.



Features

- **Anyone can use it easily**
Only set switch to measure storage level.
- **Adjustment is unnecessary**
It is controlled automatically by micro computer.
- **Auto-operation of storage tank by one Sounding V unit is possible.**
Outputs the measured value by DC4~20mA signal.
- **It can measure the powder level correctly**
Guaranteed accuracy within 1%(from 2 m to 20 m).
- **Automatic measurement is also available**
It is equipped with an 8 step switching timer from 1 to 60 minutes.
- **Durability is excellent**
Casing and the main parts are of FRP resin.
- **Installation is easy**
Only mount on the JIS 10 K 4 B flange to complete installation.
- **Countermeasures to problems are perfect**
If trouble occurs, an alarm signal is outputted immediately.
- **Power is AC 100V**
Worked by single phase power (both 50/60Hz)
(power consumption 30 VA)



<Option>

■ Current Indicator(option)

Input signal: DC4~20mA
Meter Relay is available for substitute.
110mm / square
4~20mA DC
0~100% scale
coating color
munsel N 1.5



■ Sensing Weight

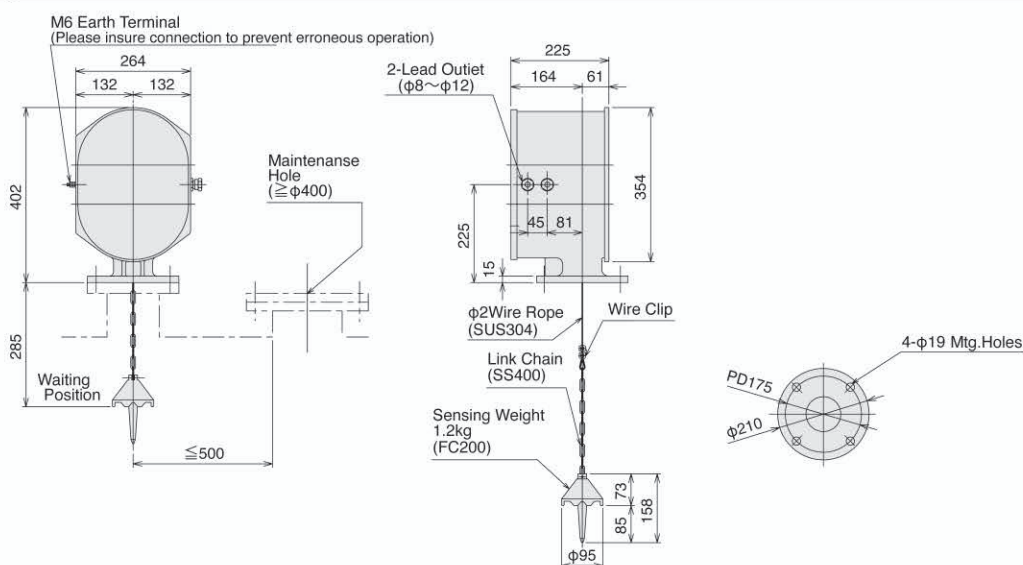
material : SUS 304
weight : 1.2kg
Equipped with
SUS 304 type connection chain.



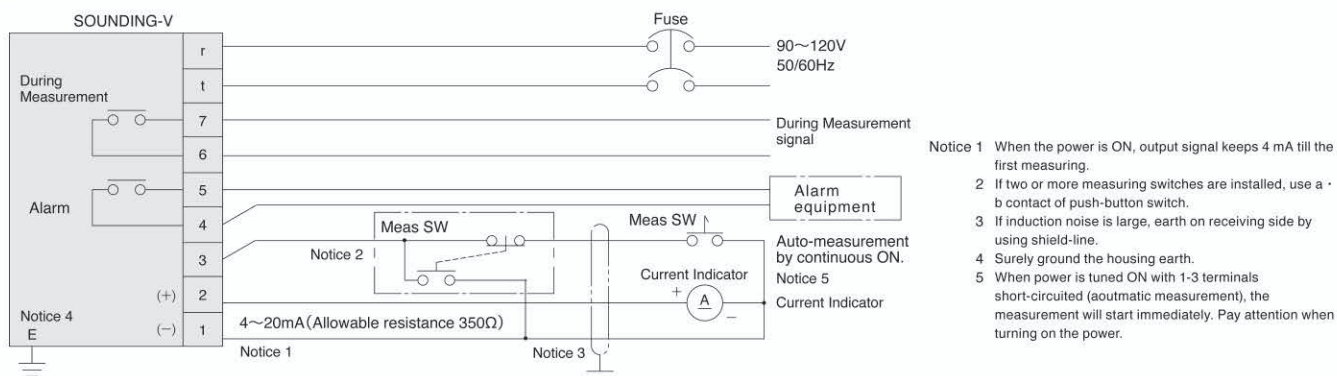
Standard Specification

Type	MDVC-2S2 type	Sensing Weight	1.2kg(Volume gravity of object is more than 0.4g/cm ³)
Wire rope	φ2mm (SUS304) strength 3.5kN (358kgf)	Operating motor(25W)	All closing form condenser motor, B-type isolation, permanent brake, special rank thermal protector built in (return itself type)
Measuring distance	0~20m		
Measuring accuracy	1% F.S. of	Main parts materials	exterior, flange, drum : FRP resin wire rope : SUS 304 sounding lead : FC 200 sounding lead chain : SS 400 drum axis, pulley axis : S 35 C·S 15C roll top detection lever : SS 400
Output signal	DC4~20mA load resistance : 350Ω or less		
Traveling speed	8.8/10.5m/min (50/60Hz)		
Measuring signal	One measurement by instantaneous ON (adove 0.1 sec) Auto measurement with internal timer by continuous ON		
Automatic Measuring	1,3,5,10,15,20,30,60min intervals		
Measuring frequency	Max.50% ED(continuous measurement is possible when the measuring time is equal to or less than the pausing time.)	Power source	AC90~120V 50/60Hz (30VA)
		Ambient temperature	-10°C ~ +50°C
Alarm	Alarm contact turns ON when rope is cut and motor is over loaded.	Protection	IP55 against pressure case ± 1.96kPa
		Coating color	Munsell 7.5GY 6/10
		Weight	12kg(included Sensing Weight)

Dimension Diagram



Connection Diagram



Specifications are subject to change without notice.
All Rights Reserved Copyrights©2021, Matsushima Measure tech Co., Ltd.



Caution
 • Read the instructions to ensure correct and suitable application of products.
 • Contact our nearest sales office when using our products for any systems used in situations which may be life threatening.

Distributor



本社 (HEAD OFFICE)

Matsushima Measure Tech Co., Ltd.

HEAD OFFICE
 1-8-18, NORIMATSU-HIGASHI, YAHATANISHI-KU, KITAKYUSHU, 807-0837 JAPAN
 Tel: +81-93-691-3731 FAX: +81-93-691-3735
<https://www.matsushima-m-tech.com> E-mail: info@matsushima-m-tech.com

Seoul Branch
 220,2F Hyundai Knowledge Industry Center, 70, Dusan-ro, Geumcheon-gu, Seoul, Republic of Korea
 Tel: +82-(0)2-852-3731 FAX: +82-(0)2-852-3734

Affiliated company
 Shanghai Dahong Matsushima Machinery Co., Ltd.
 70 Henggang Road, Dahong, Malu, Jiading, Shanghai 201801, China
 Tel: +86-(0)21-5951-4138 FAX: +86-(0)21-5951-4139