

Achieving smooth speed control

KITO AIR HOISTS



TCS series 250kg-980kg

Ultra high speed operation!

Makes improved work efficiency and stress-free ultra high speed operation possible.
Enables separate adjustment of the lifting and the lowering speed ranges.

Lifting or lowering all at once!
Ultra high speed operation reduces wasted time!

Kito air hoists provides a selection of the operation speeds, allowing variations in work efficiency.

Kito air hoists reduce the burden for operators and supports improved work efficiency.

A wide lineup is available, from models offering smooth low speed operation to models with stress-free high speed operation.

There are also outstandingly portable, compact and light weight models as well as large-capacity models for handling heavy loads.

As a comprehensive material-handling equipment manufacturer, Kito enables the building of total crane systems*¹ that match customers' requests and the conditions at sites.

*1: Light cranes and manual trolleys are available.





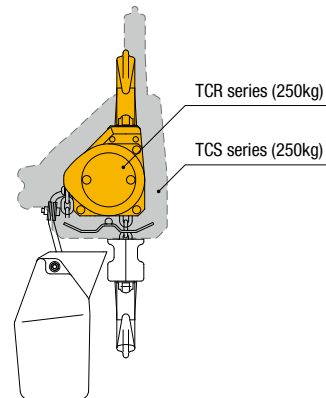
TCR series | 250kg

Ultra low speed operation!

Controls delicate movements via levers that adjust the speed.
Enables ultra low speed operation convenient for matching positions.

Speed adjustment is directly carried out by using the pendant valves.
Ultra low speed is possible with this intuitive operation!

The TCR series (250kg)
**is super-compact in size
and ultra light in weight!**



Kito air hoist Contents

List of models/standard specifications/safety and durability/features	4
Configuration/how to read the code	5
Usage forms/standard container application table/operation method/when used with a trolley	6
TCS series 250kg-980kg [ultra high speed, compact size, and light weight]	7
TCH series 3t / 6t /10t / 25t [large capacity type]	8
TCR series 250kg-2t [ultra low speed, low and medium speeds, compact size, and light weight]	9
TCRM series 490kg [air-motor trolley combination type]	11
Plain trolley combination type: dimensions table	12
Geared trolley combination type: dimensions table	13
Technical information	
About the compressor/about the piping	14
About the air supply hose size and pressure loss/about the air supply hose connection	15

Kito air hoists: list of models

Model			Capacity (t)							
			250kg	490kg	980kg	2	3	6	10	25
Hook suspended type (Single unit)	TCS	High speed, compact size, light weight	●	●	●					
	TCR	Low and medium speeds, compact size, light weight	●	●	●	●				
	TCH	Large capacity					●	●	●	●
Air-motor trolley combination type	TCRM	Air-motor trolley		●						

* The TCRM hoist main unit is a TCR model.

Standard specifications

Used air pressure	0.4MPa to 0.6MPa (recommended pressure: 0.6MPa)
Ambient temperature	-10 to 60°C
Usage humidity	85% RH or less
Usage environment	Indoors
Color	KITO Yellow (equivalent to Munsell 7.2YR6.5/14.5)
Operation method	Cord, pendant, or hand lever

* 1MPa=10bar=145psi

Safety and durability

Ultra-strong nickel-plated load chain

(Except for the TCH 10t, 25t)

Uses Kito's original world-renowned chains!

- Special alloy steel quenched chains offer high quality in all aspects of strength, durability, and precision.

Overload limiter

(TCR series 490kg-2t, TCH series, TCRM series)

Prevents accidents when there is abnormal loading!

- This prevents the hoist main unit and the load chain from damage due to abnormal loading, such as overloading and ground lifting. When shipped from the factory, the hoist is set to operate within 125% of the load capacity under the used air pressure of 0.6MPa.

Anti-overwinding device

(All models)

Protects the hoist main unit!

- This protects the hoist main unit and the load chain from damage caused by overwinding.

Pendant with an emergency stop button

(Standard on TCRM, available as an option on other models)

Immediately stops the hoist in abnormal operation!

- This protects operators as well as the hoist main unit.

Environment-friendly

(All models)

Friendly to the environment and to people!

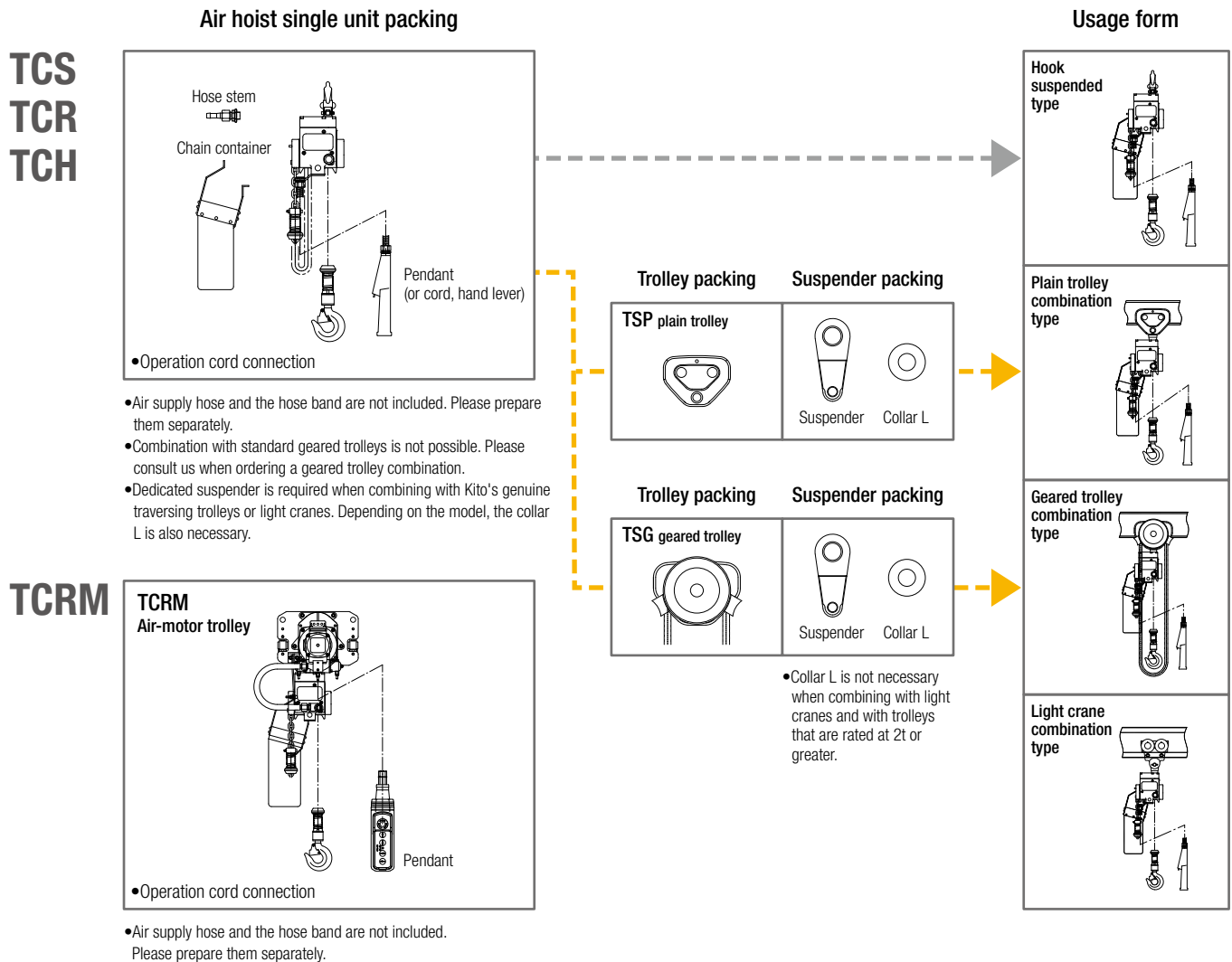
- No usage of the 15 substances regulated by Kito as environmentally hazardous, including the 6 substances covered by the European Union RoHS Directive.

Features

1	The small motor makes the hoist compact and light weight.	4	The possibility of catching fire is low because the motor is powered by air, not electricity.
2	Fine adjustment of the lifting and lowering speeds is easy using the operating valves. (variable speed changes)	5	There is no need for adjusting the hoist to the local power voltage and frequency because no electricity is used.
3	The air motor is free from burnouts and can be used frequently.	6	A wide variety of capacities are available, from 250kg up to 25t.

Configuration

Kito offers a full lineup of unique supplied system structures as shown below. This enables customers to make more economical purchases of usage forms that best matches their requirements.



How to read the code

	Combination	Operation method
	H= Hook suspended type	Cord= C
	M= Air-motor trolley combination type	Pendant= P
	SP= Plain trolley combination type	Hand lever= M (TCRH03MS)
	SG= Geared trolley combination type	

T	C	S	H	0	4	C	S
----------	----------	----------	----------	----------	----------	----------	----------

Model	Capacity	No. of load chain falls
TCS	03= 250kg	Single= S
TCR	04= 490kg	Double= D
TCH	09= 980kg	
	20= 2t	
	30= 3t	
	60= 6t	

TCS series | 250kg-980kg

Ultra high speed, compact size, and light weight

Main application fields

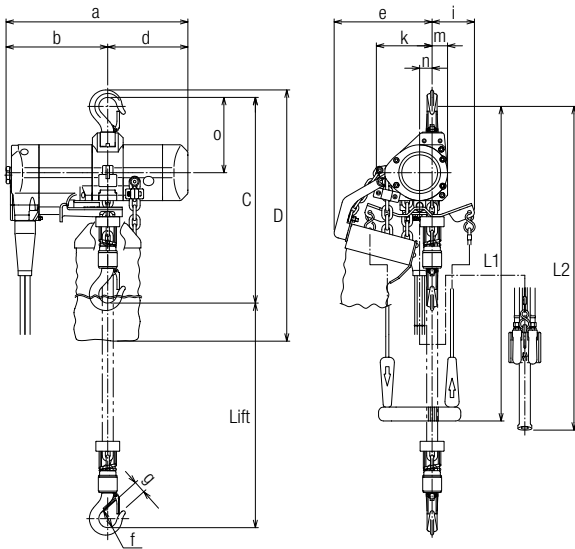
Shipyards	Various types of power generating stations	Automobile factories	Ironworks	Steelworks	Petrochemical plants	Gas chemical plants	Coal mines	Mines
Civil engineering works	Aircraft maintenance	Marine resource development	Ship outfitting	Rubber factories	Coating plants	Textile mills	Foundries	Other

Please consult with Kito when hoists are to be used in special environments.

•Achieves ultra high speed operation^{*1}.

*1: The lifting speed is 63m/min in the TCS series 250kg when unloaded.

- The speed can be adjusted according to how strongly the valves are pressed, allowing intuitive operation.
- The range of the lifting and lowering speeds can be adjusted separately.
- The compact size and light weight features make transportation and transfer easy.
- Anti-overwinding device is incorporated as standard.
- Kito's original ultra-high strength, rust-resistant nickel-plated chain is incorporated as standard.



TCSH04CS

TCSH04PS

Standard pendant is **without** an emergency stop button. (It is available as an option.)

TCS specifications

Capacity (kg)	Code	Operation method	Standard lift (m)	Cord length: L1 (m)	Pendant hose length: L2 (m)	During rated loading		When unloaded		Air consumption (m ³ /min)	Load chain diameter (mm) x No. of falls	Test load (t)	Air inlet	Net weight (kg)	Net weight for additional 1m of lift (kg)
						Lifting speed (m/min)	Lowering speed (m/min)	Lifting speed (m/min)	Lowering speed (m/min)						
250	TCSH03CS	Cord		1.7	-	34.0	63.0	63.0	38.0		ø6.3×1	313kg		20	0.88
	TCSH03PS	Pendant		-	2.5										
490	TCSH04CS	Cord	3	1.7	-	17.0	34.0	33.0	19.0	2.1	ø6.3×2	625kg	Rc1/2	20	0.88
	TCSH04PS	Pendant		-	2.5										
980	TCSH09CD	Cord		1.7	-	8.5	17.0	16.5	9.5		ø6.3×2	1.23		26	1.76
	TCSH09PD	Pendant		-	2.5										

•Each performance value is the numerical value when the used air pressure is 0.6MPa. •The net weight is the value for the standard lift. •The air consumption is the maximum value during use.

TCS dimensions (mm)

Capacity (kg)	Code	Headroom: C	D	a	b	d	e	f	g	i	k	m	n	o
250	TCSH03CS									85				
	TCSH03PS	414	555				197	36	25	56	112	31	25	151
490	TCSH04CS			365	204	161				85				
	TCSH04PS									56				
980	TCSH09CD						221	40	29	70	136	37	49	173
	TCSH09PD	456	577											

•The D dimension is the value for the standard lift. •The values described above are the nominal dimensions.

TCH series | 3t/6t/10t/25t

Large capacity

Main application fields

Shipyards (New vessel construction and ship repairs)

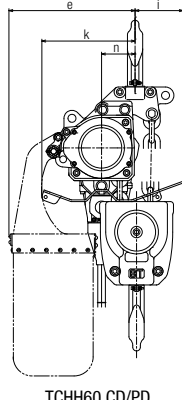
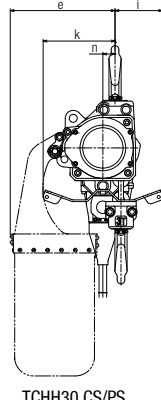
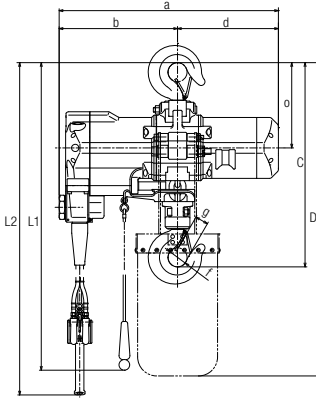
Offshore oilfield plants

Petrochemical plants

Other plants

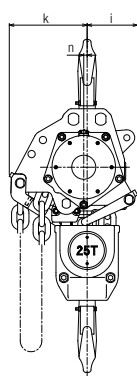
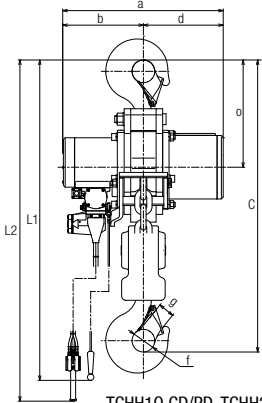
Please consult with Kito when hoists are to be used in special environments.

- Anti-overwinding device is incorporated as standard.
- An overloading limiter device is incorporated to automatically stop the lifting when overloading is detected.



TCHH30 CS/PS

TCHH60 CD/PD



TCHH1Q CD/PD, TCHH2P CD/PD



Standard pendant is **without** an emergency stop button.
(It is available as an option.)



TCHH30PS



TCHH2PPD

TCH specifications

Capacity (t)	Code	Operation method	Standard lift (m)	Cord length: L1 (m)	Pendant hose length: L2 (m)	During rated loading		When unloaded		Air consumption (m ³ /min)	Load chain diameter (mm) x No. of falls	Test load (t)	Air inlet	Net weight (kg)	Net weight for additional 1m of lift (kg)
						Lifting speed (m/min)	Lowering speed (m/min)	Lifting speed (m/min)	Lowering speed (m/min)						
3	TCHH30CS	Cord	3	1.8	-	5.40	11.60	11.20	6.90	4.3	ø12.5 x 1	3.75	Rc1	101	3.42
	TCHH30PS	Pendant		-	2.6	2.70	5.20	5.30	3.20					102	
6	TCHH60CD	Cord	3	1.9	-	2.70	5.20	5.30	3.20	4.3	ø12.5 x 2	7.5	Rc1	133	6.84
	TCHH60PD	Pendant		-	2.7	1.60	3.20	3.30	1.90					134	
10	TCHH1QCD	Cord	3	1.9	-	1.60	3.20	3.30	1.90	10.8	ø16 x 2	12.5	Rc1 1/2	205	11.4
	TCHH1QPD	Pendant		-	2.7	1.40	3.00	2.70	2.00					206	
25	TCHH2PCD	Cord	3	2.0	-	1.40	3.00	2.70	2.00	10.8	ø23.5 x 2	31.25	Rc1 1/2	579	24.4
	TCHH2PPD	Pendant		-	2.9	1.40	3.00	2.70	2.00					581	

- Each performance value is the numerical value when the used air pressure is 0.6MPa. •The net weight is the value for the standard lift.
- The air consumption is the maximum value during use.

TCH dimensions (mm)

Capacity (t)	Code	Headroom: C	D	a	b	d	e	f	g	i	k	n	o
3	TCHH30CS	537	823	576	311	265	275	50	34	125	189	32	224
	TCHH30PS												
6	TCHH60CD	770	885	576	311	265	331	65	42	126	245	88	286
	TCHH60PD												
10	TCHH1QCD	850	885	582	315	267	331	60	40	188	280	0	298
	TCHH1QPD												
25	TCHH2PCD	1,290	885	708	352	356	331	100	71	223	343	15	473
	TCHH2PPD												

- The values described above are the nominal dimensions.

TCR series | 250kg-2t

Ultra low speed, low and medium speeds,
Compact size, and light weight

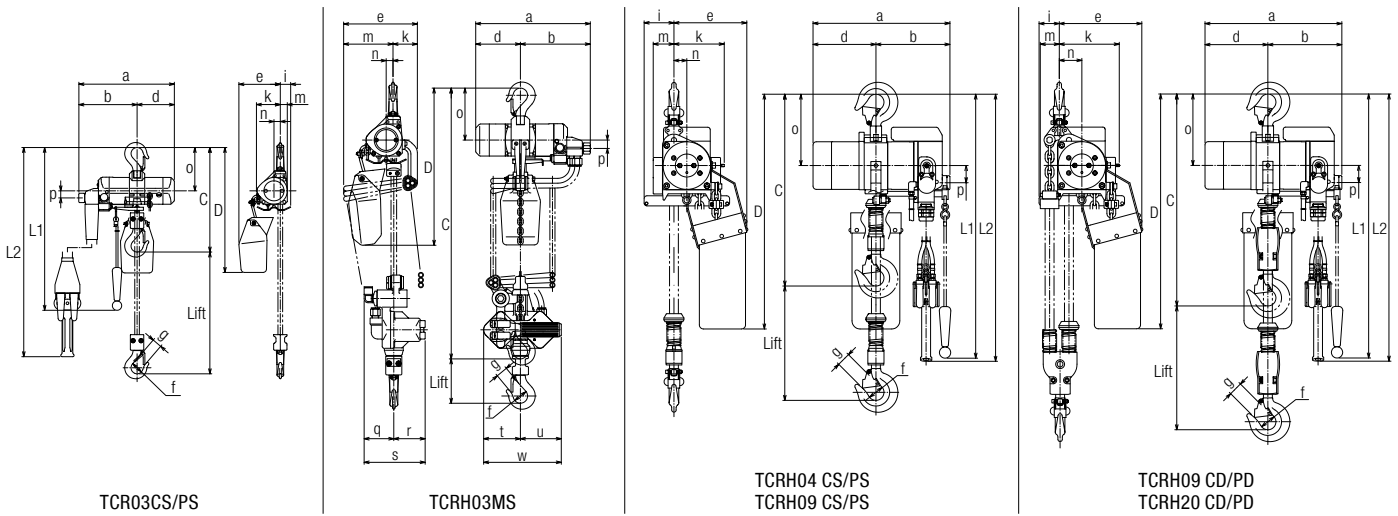
Main application fields

Shipyards	Various types of power generating stations	Automobile factories	Ironworks	Steelworks	Petrochemical plants	Gas chemical plants	Coal mines	Mines
Civil engineering works	Aircraft maintenance	Marine resource development	Ship outfitting	Rubber factories	Coating plants	Textile mills	Foundries	Other

Please consult with Kito when hoists are to be used in special environments.

- The compact size and light weight features make the hoist outstandingly portable.
- The speed can be adjusted according to how strongly the valves are pressed, allowing intuitive operation.
- Ultra low speed operation is possible, convenient for matching positions. (250kg)
- Anti-overwinding device is incorporated as standard.
- Kito's original ultra-high strength, rust-resistant nickel-plated chain is incorporated as standard.
- An overloading limiter device is incorporated to automatically stop the lifting when overloading is detected. (490kg to 5t)





TCR specifications

Capacity (t)	Code	Operation method	Standard lift (m)	Cord length: L1 (m)	Pendant hose length: L2 (m)	During rated loading		When unloaded		Air consumption (m ³ /min)	Load chain diameter (mm) x No. of falls	Test load (t)	Air inlet	Net weight (kg)	Net weight for additional 1m of lift (kg)
						Lifting speed (m/min)	Lowering speed (m/min)	Lifting speed (m/min)	Lowering speed (m/min)						
250kg	TCRH03CS	Cord	3	1.7	-	9.0	17.4	18.6	13.8	1	ø4.0×1	313kg	Rc3/8	7	0.35
	TCRH03PS	Pendant		2.2	8.1	16.5	16.7	12.4	0.9					8.6	0.76
	TCRH03MS	Hand lever		2	8.0	16.7	12.4	0.9	11					-	
490kg	TCRH04CS	Cord	-	1.9	-	10.0	16.0	19.0	13.0	-	ø6.3×1	625kg	-	30	0.88
	TCRH04PS	Pendant		2.4	5.8	9.3	10.5	6.5	31					1.12	
980kg	TCRH09CD	Cord	3	1.9	-	5.0	8.1	9.6	6.4	1.7	ø6.3×2	1.23	Rc1/2	34.5	1.76
	TCRH09PD	Pendant		2.4	5.8									9.3	10.5
	TCRH09CS	Cord		1.9	-	5.8	9.3	10.5	6.5					33	1.1
	TCRH09PS	Pendant		2.4	5.8	9.3	10.5	6.5	34					1.34	
2	TCRH20CD	Cord	-	1.9	-	2.9	4.7	5.3	3.2	-	ø7.1×2	2.5	-	39	2.2
	TCRH20PD	Pendant		2.4	2.9									4.7	5.3

•Each performance value is the numerical value when the used air pressure is 0.6MPa. •The net weight is the value for the standard lift. •The air consumption is the maximum value during use. •The L2 dimension will be 2.3m when the TCRH03PS with emergency stop button is selected.

TCR dimensions (mm)

Capacity (t)	Code	Headroom: C	D	a	b	d	e	f	g	i	k	m	n	o	p	q	r	s	t	u	w	
250kg	TCRH03CS	305	375	247	135	-	124	-	-	34	71	21	-	-	-	-	-	-	-	-	-	
	TCRH03PS			286	174	112	36	25	-	-	-	-	19	130	21	-	-	-	-	-	-	-
	TCRH03MS			837	392	-	-	184	-	-	-	61	123	-	-	-	74	78	152	92	102	194
490kg	TCRH04CS	462	582	-	-	181	-	-	-	74	124	52	32	-	-	-	-	-	-	-	-	
	TCRH04PS			-	-	-	-	-	-	-	-	-	-	-	-	-	-	-	-	-	-	-
980kg	TCRH09CD	519	667	-	-	-	205	40	29	50	149	50	56	177	-	-	-	-	-	-	-	
	TCRH09PD			-	-	-	-	-	-	-	-	-	47	-	-	-	-	-	-	-	-	-
	TCRH09CS			342	186	156	-	-	-	-	-	74	124	52	32	42	-	-	-	-	-	-
	TCRH09PS			466	582	-	-	-	181	-	-	-	-	-	-	-	-	-	-	-	-	-
2	TCRH20CD	597	701	-	-	-	208	45	32	47	152	50	59	211	-	-	-	-	-	-	-	
	TCRH20PD			-	-	-	-	-	-	-	-	-	-	-	-	-	-	-	-	-	-	-

•The D dimension is the value for the standard lift. •The values described above are the nominal dimensions.

TCRM series | 490kg

Air-motor trolley combination type

Main application fields

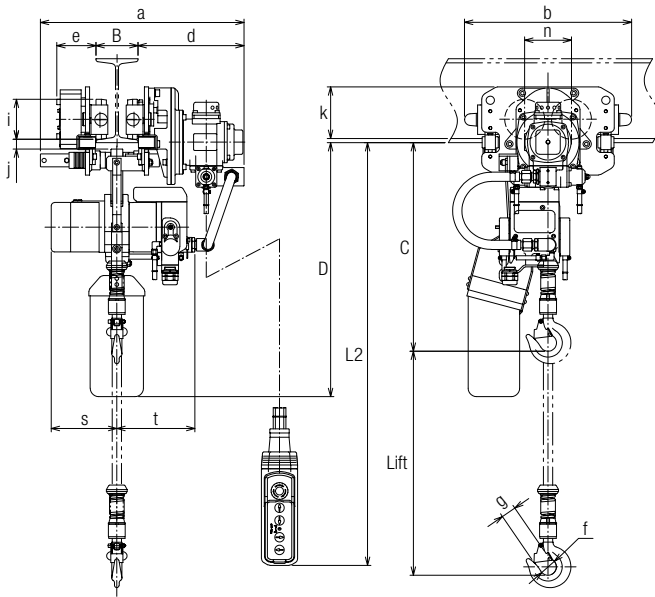
Shipyards	Various types of power generating stations	Automobile factories	Ironworks	Steelworks	Petrochemical plants	Gas chemical plants	Coal mines	Mines
Civil engineering works	Aircraft maintenance	Marine resource development	Ship outfitting	Rubber factories	Coating plants	Textile mills	Foundries	Other

Please consult with Kito when hoists are to be used in special environments.

- Transporting of heavy loads is easy due to the air-motor trolley combination.
- Lifting, lowering, and traversing can be operated at variable speeds using the 4-button pendant with an emergency stop.
- Traversing speed can be adjusted to a low speed by the adjustment valve installed on the pendant.
- Anti-overwinding device is incorporated as standard.
- Kito's original ultra high strength, rust-resistant nickel-plated chain is incorporated as standard.
- An overloading limiter device is incorporated to automatically stop the lifting when overloading is detected.
- The trolley is equipped with a maximum speed adjustment mechanism.



TCRM04PS



TCRM specifications

Capacity (kg)	Code	Operation method	Standard lift (m)	Pendant hose length: L2 (m)	During rated loading		When unloaded		Lifting air consumption (m ³ /min)	Traversing speed (m/min)	Traversing air consumption (m ³ /min)	Load chain diameter (mm) x No. of falls	Test load (t)	Applicable rail width (Minimum curve radius): B (mm)	Air inlet	Net weight (kg)	Net weight for additional 1m of lift (kg)
					Lifting speed (m/min)	Lowering speed (m/min)	Lifting speed (m/min)	Lowering speed (m/min)									
490	TCRM04PS	Pendant	3	2.2	10.0	16.0	19.0	13.0	1.7	20.0	1.5	ø6.3×1	625kg	58 to 137 (3500)	R3/4	81	1.13

- Each performance value is the numerical value when the used air pressure is 0.6MPa. •The net weight is the value for the standard lift. •The air consumption is the maximum value during use.
- When selecting the compressor, consider the total of the lifting air consumption and traversing air consumption amounts. •The minimum turning radius is common for all the applicable rail widths.

TCRM dimensions (mm)

Capacity (kg)	Code	Headroom: C	D	a	b	d	e	f	g	i	j	k	n	s	t
490	TCRM04PS	490	604	555	315	261	94	40	29	95	23	122	111.3	156	186

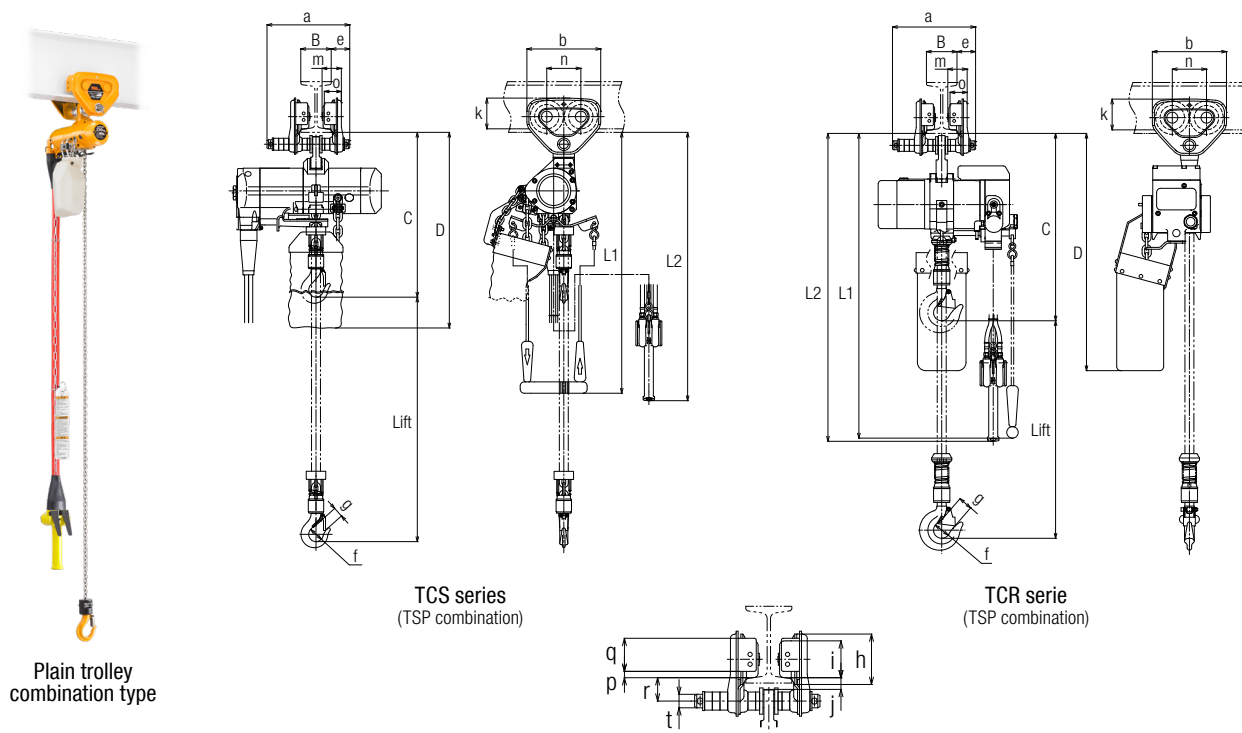
- The D dimension is the value for the standard lift. •The values described above are the nominal dimensions.

Plain trolley combination type: dimensions table

TSP combination dimensions (mm)

Capacity (kg)	Code	Operation method	Headroom : C	Cord length : L1 (m)	Pendant hose length : L2 (m)	Applicable rail width : B (mm)	Minimum curve radius (mm)	D	a	b	e	f	g	h	i	j	k	m	n	o	p	q	r	t	
250	TCSSP03CS	Cord	410	1.7	-			550								19									
	TCSSP03PS	Pendant		-	2.5																				
	TCRSP03CS	Cord	300	1.7	-			370																	
	TCRSP03PS	Pendant		-	2.2							36	25				19.5								
	TCRSP03MS	Hand lever		835	-	-	50 to 102		1100	390	204	182	46			82		60		76	47.5	84	42		54
490	TCSSP04CS	Cord	410	1.7	-			550								19									
	TCSSP04PS	Pendant		-	2.5																				
	TCRSP04CS	Cord	460	1.9	-			580								14									
	TCRSP04PS	Pendant		-	2.4																	10			
980	TCSSP09CD	Cord	445	1.7	-			565																	
	TCSSP09PD	Pendant		-	2.5																				
	TCRSP09CD	Cord	530	1.9	-			595	249	236	56	40	29	106	71	24	95	56	112	50		69	50	25	
	TCRSP09PD	Pendant		-	2.5	58 to 127	1300																		
	TCRSP09CS	Cord		490	1.8	-																			
	TCRSP09PS	Pendant	-	2.5																					
2t	TCRSP20CD	Cord	560	1.9	-			580	300	280	69	45		127	85	35	112	71	131	63		83	62	31	
	TCRSP20PD	Pendant		-	2.4	82 to 153	1500																		
3t	TCHSP30CS	Cord	For more information, including dimensions, please contact Kito.																						
	TCHSP30PS	Pendant																							

- The D dimensions is the value for the standard lift.
- The value described above are the nominal dimensions.



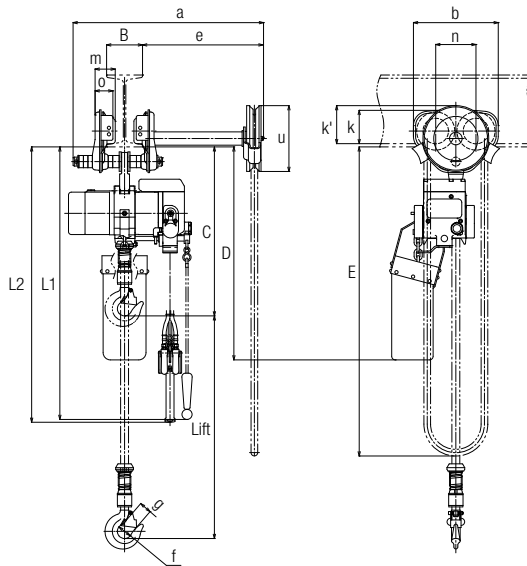
Geared trolley combination type: dimensions table

TSG combination dimensions (mm)

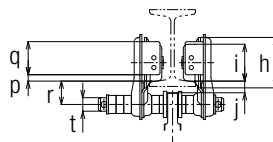
Capacity (kg)	Code	Operation method	Headroom : C	Cord length : L1 (m)	Pendant hose length : L2 (m)	Applicable rail width : B (mm)	Minimum curve radius (mm)	D	a	b	e	f	g	h	i	j	k	k'	m	n	o	p	q	r	t	u	
490	TCRSG04CS	Cord	470	1.9	-			595			338					19			102								
	TCRSG04PS	Pendant		-	2.4																						
980	TCRSG09CD	Cord	540	1.9	-	58 to 127	1300	600	531	236	40	106	71	95	107	56	50	69	50	25							
	TCRSG09PD	Pendant		-	2.5																						
	TCRSG09CS	Cord	490	1.8	-			605			56	29	15.5	112	10	183											
	TCRSG09PS	Pendant		-	2.5																						
2t	TCRSG20CD	Cord	560	1.9	-	82 to 153	1500	580	630	280	69	45	127	85	30	112	109	71	131	63	83	62	32				
	TCRSG20PD	Pendant		-	2.4																						
3t	TCHSG30CS	Cord	For more information, including dimensions, please contact Kito.																								
	TCHSG30PS	Pendant																									
6t	TCHSG60CD	Cord	For more information, including dimensions, please contact Kito.																								
	TCHSG60PD	Pendant																									



Geared trolley combination type



TCR series
(TSG combination)



About the compressor

Kito air hoists are designed to be used at air pressures from 0.4 to 0.6MPa (0.6MPa recommended).

While hoists are being operated, each model requires the air consumption amount that is stipulated in each specification column.

Therefore, the compressor air discharge amount must be greater than the total of the air consumption amounts of all the hoists that are being used simultaneously.

It is desirable to prepare a compressor with a discharge amount that is approximately 20% greater than the total consumption amount, in consideration of the piping loss and pressure reduction. In general, the engine horsepower for each 1m³/min of compressor discharge amount will be approximately 10 horsepower.

If the discharge amount is insufficient, the air hoist will have a reduced capacity. Please select a compressor horsepower that provides surplus air.

$$(\text{Air consumption} \times 10) \times \text{No. of units used} \leq \text{Compressor horsepower}$$

About the piping

When using the air hoists, prepare the piping as shown in the "piping image diagram" below.

* However, note that the shaded part should be prepared by the customer.

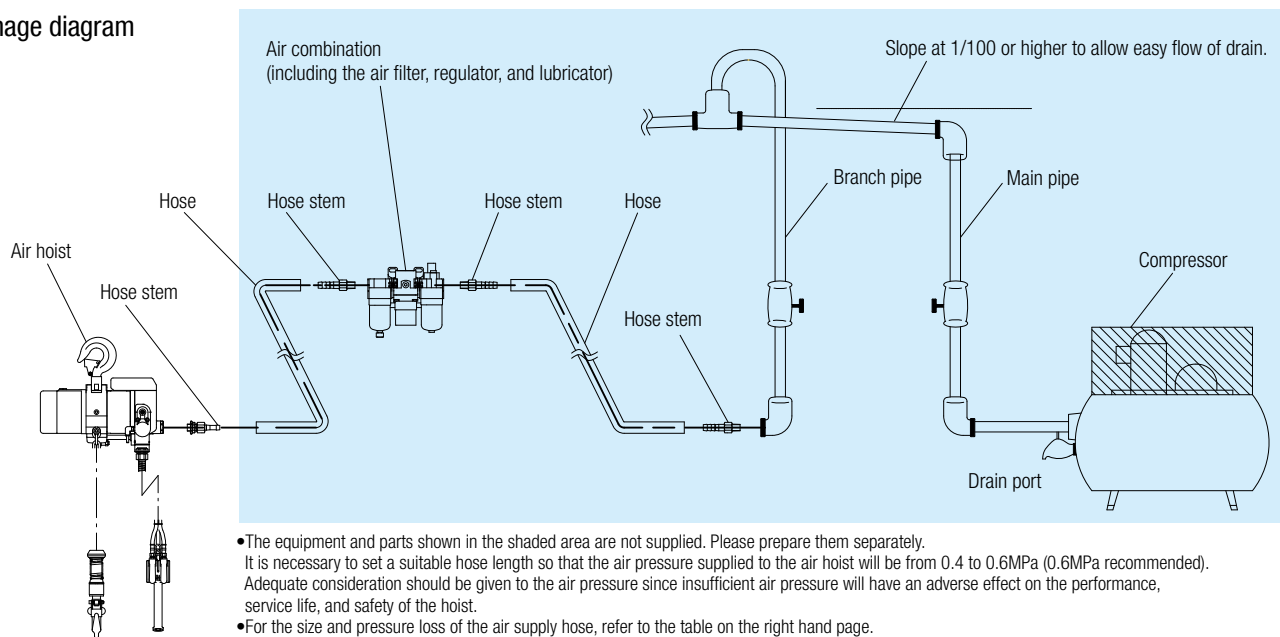
In some circumstances, the operation of air hoists becomes impossible due to fine particles of dust or moisture.

In addition, insufficient lubrication will rapidly hasten the generation of heat and wear on parts, causing problems in operation and reduction in performance.

In order to avoid these problems, be certain to always use the air combination.

* Carry out an inspection of the amount of oil in the lubricator before using the hoist.

Piping image diagram



Lubricating locations	Recommended lubricating grease		Lubricating method	Lubricating amount and frequency
	Grease name	Grade		
Air-motor	Turbine oil JIS type 2	Product equivalent to ISO VG-32 to 56	Install a lubricator in the piping for lubrication	The drop-feed amount is 10-15 drops/minute (0.2-0.3cc)

- Daily lubrication for the reduction gear unit of this product is not required. During disassembly work, replace the grease. Caution: for the disassembly work, please place an order with Kito.
- Regularly apply lubricating oil to the load chain.

About the air supply hose size and pressure loss

Hose internal diameter dimension (mm)	The recommended hose length for the model used is 10m or less. *5m or less is recommended for the TCS.	Hose inlet pressure (MPa)	Free air amount (m ³ /min) flowing through a 10m long hose.														
			0.75	1	1.5	2	2.5	3	4	5	6	7	8	9	10	11	
			Pressure loss (MPa)														
9.5	TCR series (250kg)	0.4	0.0987	0.1757													
		0.5	0.0879	0.1461	0.3306												
		0.6	0.074	0.1326	0.2835												
		0.7	0.0626	0.1155	0.2492												
12.7	TCR series (490kg-2t)	0.4	0.0249	0.0424	0.0932												
		0.5	0.0203	0.036	0.078												
	TCS series TCRM series	0.6	0.0173	0.0309	0.0688	0.1184	0.1849										
		0.7	0.0155	0.0269	0.0588	0.0999	0.1561										
25.4	TCH series (3t, 6t,10t)	0.4		0.0014	0.0032	0.0056	0.0085	0.0123	0.0193	0.0302	0.0466						
		0.5		0.0012	0.0027	0.0048	0.007	0.0103	0.0161	0.0252	0.0388						
		0.6		0.001	0.0023	0.0041	0.006	0.0088	0.0138	0.0216	0.0333						
		0.7		0.0009	0.002	0.0036	0.0054	0.0073	0.0121	0.0189	0.0291						
25.4	TCH series (25t)	0.4				0.0007	0.0011	0.0016	0.0029	0.0046	0.0066	0.0089	0.0117	0.0147	0.0182	0.0221	
		0.5				0.0006	0.001	0.0013	0.0024	0.0038	0.0055	0.0074	0.0097	0.0123	0.0152	0.0184	
		0.6				0.0006	0.0008	0.0012	0.0021	0.0033	0.0047	0.0064	0.0083	0.0106	0.0131	0.0158	
		0.7				0.0005	0.0007	0.001	0.0018	0.0029	0.0041	0.0056	0.0073	0.0092	0.0114	0.0138	

- The values shown in the table are the pressure loss values for each pressure and each flow amount. Therefore, the secondary pressure at the hose outlet is equal to the value when the pressure loss is subtracted from the hose inlet pressure.
- When the hose length is longer than 10m, the relationship between the length and the pressure loss will be proportional. Therefore, if the hose length is 20m, the corresponding pressure loss will be two times greater than the pressure loss value shown in the table.
- Please check the air consumption (m³/min) of the air hoist to be used and the pressure (MPa) at the hose inlet. See the table mentioned above and confirm that the appropriate air pressure (0.4 to 0.6MPa) is supplied. *0.6MPa recommended.

Ex.) the TCR series 250kg

When the hose inlet pressure is 0.6MPa and a free air amount of 1.0m³/min is flowing through a 10m hose, the pressure loss will be 0.1326MPa.

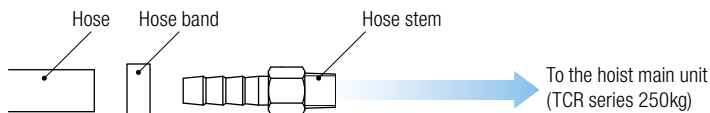
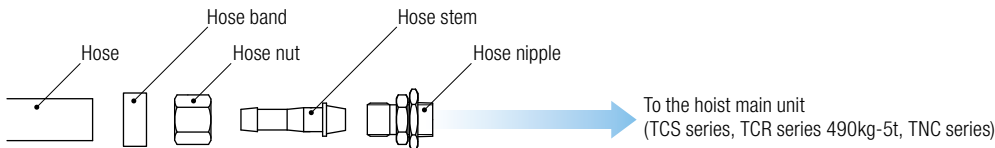
About the air supply hose connection

- (1) Wrap sealing tape around the hose nipple, and firmly mount it in the hoist.
- (2) Confirm that the main valve of the compressor is closed and the compressed air is cut off.
- (3) Before connecting the hose to the hoist, apply approximately 10 drops of lubricating oil to the connection port.
- (4) Insert the hose stem into the hose nipple, and fix it with the hose nut.

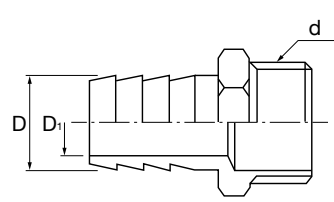
Mount the hose nipple in the hoist main unit. Then, use the hose band to fix the hose to the hose stem.

For the TCR series 250kg model, mount the hose stem in the hoist main unit. Then, use the hose band to fix the hose to the hose stem.

* The air supply hose and the hose band are not provided. Please prepare them separately.



Model	Capacity (t)	Dimensions (mm)		
		D	D _{1s}	d
TCS series	250kg - 980kg	14.5	10	R 1/2
TCR series	250kg - 980kg	15	9.5	R 3/8
	490kg - 2	14.5	10	R 1/2
TCH series	3 - 25	n/a		





Head office & factory

2000 Tsujijarai Showa-Cho, Nakakoma-Gun, Yamanashi 409-3853, Japan
TEL: +81-55-275-7521 FAX: +81-55-275-6162

Tokyo head office

SHINJUKU NS Bldg. 9F, 2-4-1 Nishi-Shinjuku, Shinjuku-ku, Tokyo 163-0809, Japan
TEL: +81-3-5908-0180 FAX: +81-3-5908-0189
kito.co.jp/en Kito global website: kitocrosby.com

International Sales Subsidiaries

U.S.A.

Harrington

401 West End Avenue, Manheim, PA 17545, U.S.A.
TEL: +1-717-665-2000 FAX: +1-717-665-2861
harringtonhoists.com

Peerless

1416 East Sanborn St. Winona, MN 55987, U.S.A.
TEL: +1-800-873-1916 FAX: +1-800-356-1149
peerlesschain.com

CANADA

Kito Crosby Canada

309-3815 1st Ave., Burnaby, BC V5C 3V6, Canada
TEL: +1-604-291-9955 FAX: +1-604-294-8855
kito.ca

BRAZIL

Kito Brazil

Unidades 37-38 do CLE – CENTRO LOGISTICO EMBU
Rua José Semião Rodrigues Agostinho, 1370,
Bairro Água Espraiada – Embu das Artes, SP, Brasil
TEL: +55-11-3253-1000 FAX: +55-11-3253-1008
kito.com.br/

GERMANY

Kito Europe

Heerdter Lohweg 93, D-40549 Düsseldorf, Germany
TEL: +49-211-528009-00 FAX: +49-211-528009-59
kito.net

ITALY

Kito Chain Italia

Via Giuseppe Verdi 11, 33018, Tarvisio (Ud), Italia
TEL: +39-428-4171 FAX: +39-428-417301
kitochainitalia.com

FINLAND

Kito Erikkila

Masalantie 225, 02430, Masala, Finland
TEL: +358-9-2219-0530 FAX: +358-9-297-5021
erikkila.com

NETHERLANDS

Kito Van Leusden

Parelhoenweg 2 NL - 4791 PA Klundert
Harbour number M457 A The Netherlands
TEL: +31-168-385-225 FAX: +31-168-385-230
vanleusden.com

AUSTRALIA

Kito Crosby Australia

46 Mckellar Way, Epping VIC 3076, Australia
TEL: +61-1300-792-262
kitocrosby.com.au

CHINA

Jiangyin Kito

18 Cheng Jiang East Road, Jiang Yin, Jiang Su 214429, China
TEL: +86-510-86199700 FAX: +86-510-86196633
kaicheng.com

Kito Shanghai

Room 11J, Zao-Fong Universe Building,
No1800 ZhongShan West Road Shanghai 200235, China
TEL: +86-21-54488935 FAX: +86-21-54488937
kito.com.cn

TAIWAN

Kito Taiwan

12F-1, 128c sec. 3, Ming-Shen East Road, Taipei, Taiwan 10596
TEL: +886-2-2719-7616 FAX: +886-2-2719-6900
tw.kito.com

KOREA

Kito Korea

3Dong 903, 15, Pangyo-Ro 228Beon-gil, Bundang-gu,
Seongnam-si, Gyeonggi-do, Korea 13487
TEL: +82-31-600-7450 FAX: +82-31-600-7469
kito.kr

THAILAND

Siam Kito

205 M.2, T.Klongtumru, A.Muangchonburi, Chonburi 20000, Thailand
TEL: +66-3819-5711 FAX: +66-3846-8195
siamkito.co.th

INDIA

Kito India

#118/2, 80 Feet Road, Jakkur Post,
Yelahanka Hobli, Bengaluru – 560064, Karnataka, India
TEL: +91-80-2950-3090
kito.co.in

INDONESIA

Kito Indonesia

JL. Kenari Raya Block G2-10A, Delta Silicon 5, Lippo Cikarang, Bekasi, Indonesia
TEL: +62-21-2961-2150 FAX: +62-21-2961-2151
id.kito.com/id

- The functions and performance of the products mentioned in the catalog have been designed based on the related regulations and standards. If they are used for other than their intended purposes such as being integrated into your equipment, we will not take any responsibility for accidents attributable to their unintended usages as well as guarantee their performance and functions. Never remodel our products.
- When you want to use our products for special purposes, consult us in advance.
- When you want to export our products, consult us in advance. There are different standards and regulations from one destination to another.
- It is prohibited to reprint, copy or divert all the information in this catalog (product patents, trademarks, photos, designs, copies, illustrations, etc.) without our consent.
- The specifications in this catalog are partly subject to change without prior notice.
- Product specifications may vary depending on the country. For more details please contact the nearest Kito dealer.