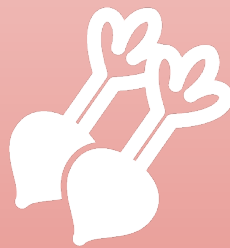


ASHOR AGRI

Products Information



cabbage



sugar beet



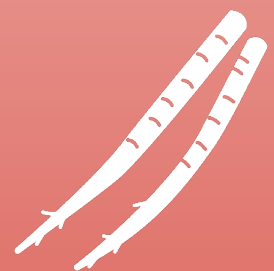
soyabean



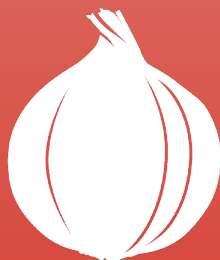
broccoli



long onion



burdock



onion

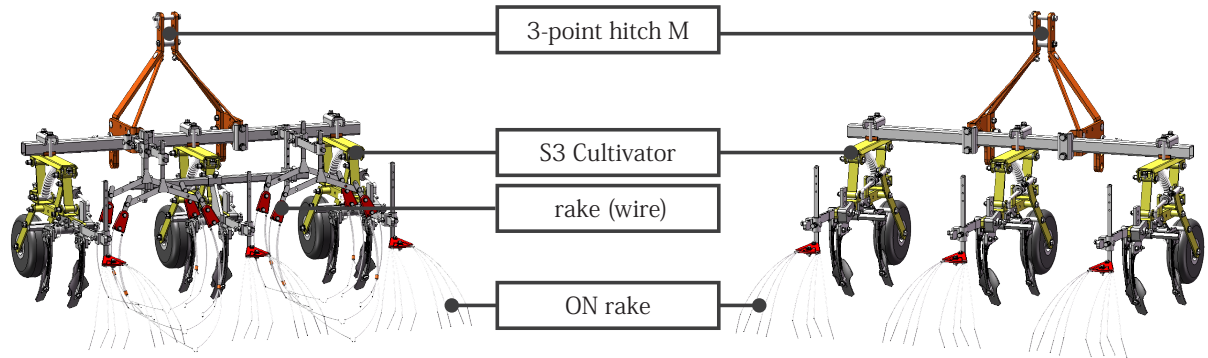


carrot



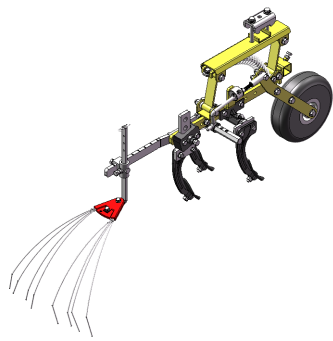
wheat

product

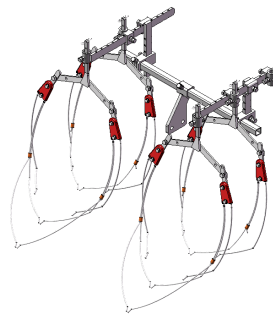


S3 Cultivator DX 3 row

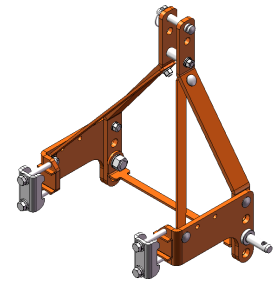
S3 Cultivator 3 row



S3 cultivator



rake(wire)



3-point hitch M

This small weeder is attachable to many different tractors. The working speed can be as fast as 2 to 10 km/h. It can also be attached to various types of machines : even on rice-transplanters with minor modification. With the S3 Cultivator, location of the tine can be adjusted by the slide bar based on the growth of the crops. Also, working depth of the tine is adjustable. The rake eliminates the growth of weeds near the crops.

Row Widths 45 cm - 80 cm

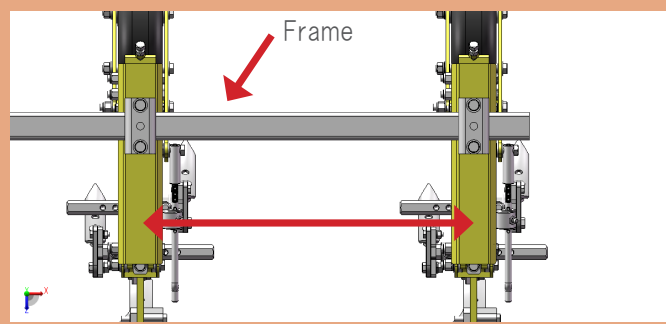
Number of Rows 2 - 5 rows

Horse power 5 - 38PS/3.7 - 28.3KW

Machine weight 81 - 188 kg

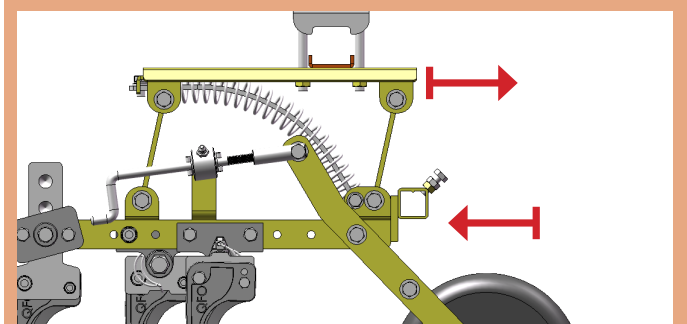


Structure



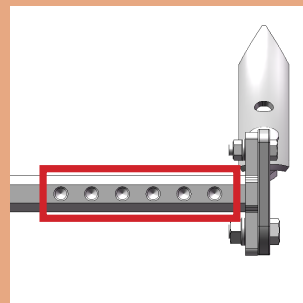
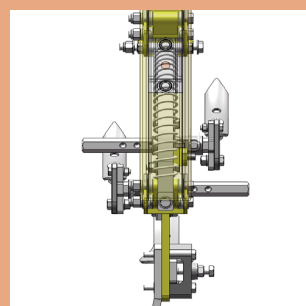
◆ Adjustable tine width

Row width can be easily adjusted by loosening the bolt between 45cm to 80cm.
* Longer square frame is available.



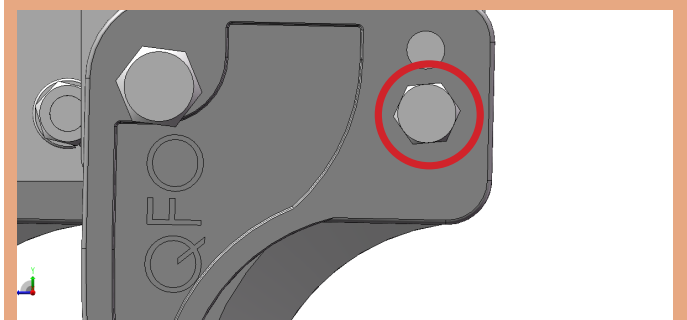
◆ Spring supports consistent depths

On uneven surface, spring helps tine to work at consistent depth. As tine tries to go deeper, the spring compensates the movement



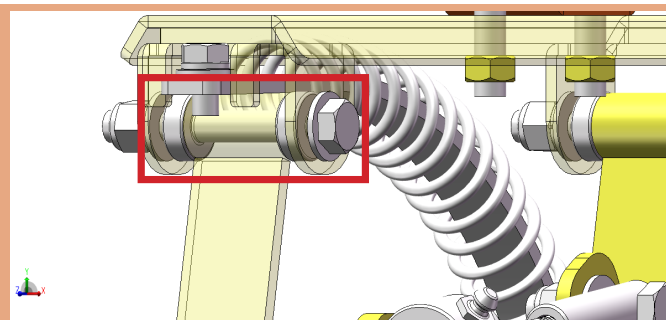
◆ Adjustable tine width

Based on the growth, location of the tine can be adjusted by the slide bar. There are 6 holes with 20mm intervals.



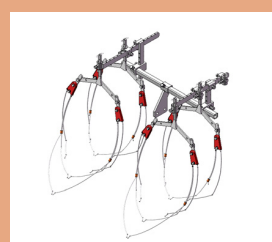
◆ Stone Protection

Tine has two protections : spring and shear-bolt protection.



◆ Bearings installed on pivoting parts

The bearing promises long machine life. In addition to the bearing on pivoting parts, there is a cover over the bearings that protects the bearing from soil and dust getting inside.



◆ Rake(wire) - row width 45cm to 80cm

The rake actually eliminates weeds. In the soil, the rake pulls the roots of weed. (Pull-able weed length : less 3cm)

Q: How does the rake eliminate weeds?

A : The rake is a metal piece of wire which pulls weed out of the soil. After raking, weeds will die on the soil from sunlight or the wind. The best way to prevent weeds is to move the soil between the rows. Soil movement at regular intervals will prevent weeds from growing.



Company Information

Hokkaido



■ Farming in Hokkaido

Size : 83,450km²

Farming Area : 1,146,000 Hectares

Annual Billings Total : 1185.2 Billion JPY

Number of Farmers : 37,000 Households

[Main Crops]

Wheat, Soybeans, Potatoes, Sugar beets,
Onions, Pumpkins, Sweetcorn, Fresh Milk,
Beef



■ ASHORAGRI is named after two important elements : our company is located in a town of "Ashoro" and we are committed to "Agriculture" . We have been using this name for the export market from 2021. In domestic market, we are known as QHOE from Hokkaido since 1994. Hokkaido is one of the most important agricultural areas where European machinery and farming methods are widely used. Since the founding of our company, we have been aiming to create effective weeders that can be attached to a tractor. Agriculture in the world varies in each areas and growing methods vary as well. Our products are without mechanical drive or hydraulic drive. That is why our products are easy to use. We are confident that you will find one of our weeders that best fits your agriculture needs.

Please feel free to contact us : ASHORAGRI.

WEB SITE : q-hoe.com/

Twitter ID: @QHOE_Official

ASHOR AGRI

Produced by

Q-HOE
Co.,Ltd.

5-71-1, Asahimachi, Ashoro-cho Ashoro-gun, Hokkaido, 089-3721, Japan
TEL: +81-156-25-5806 / FAX +81-156-25-6121
E-mail: info@qhoe.com